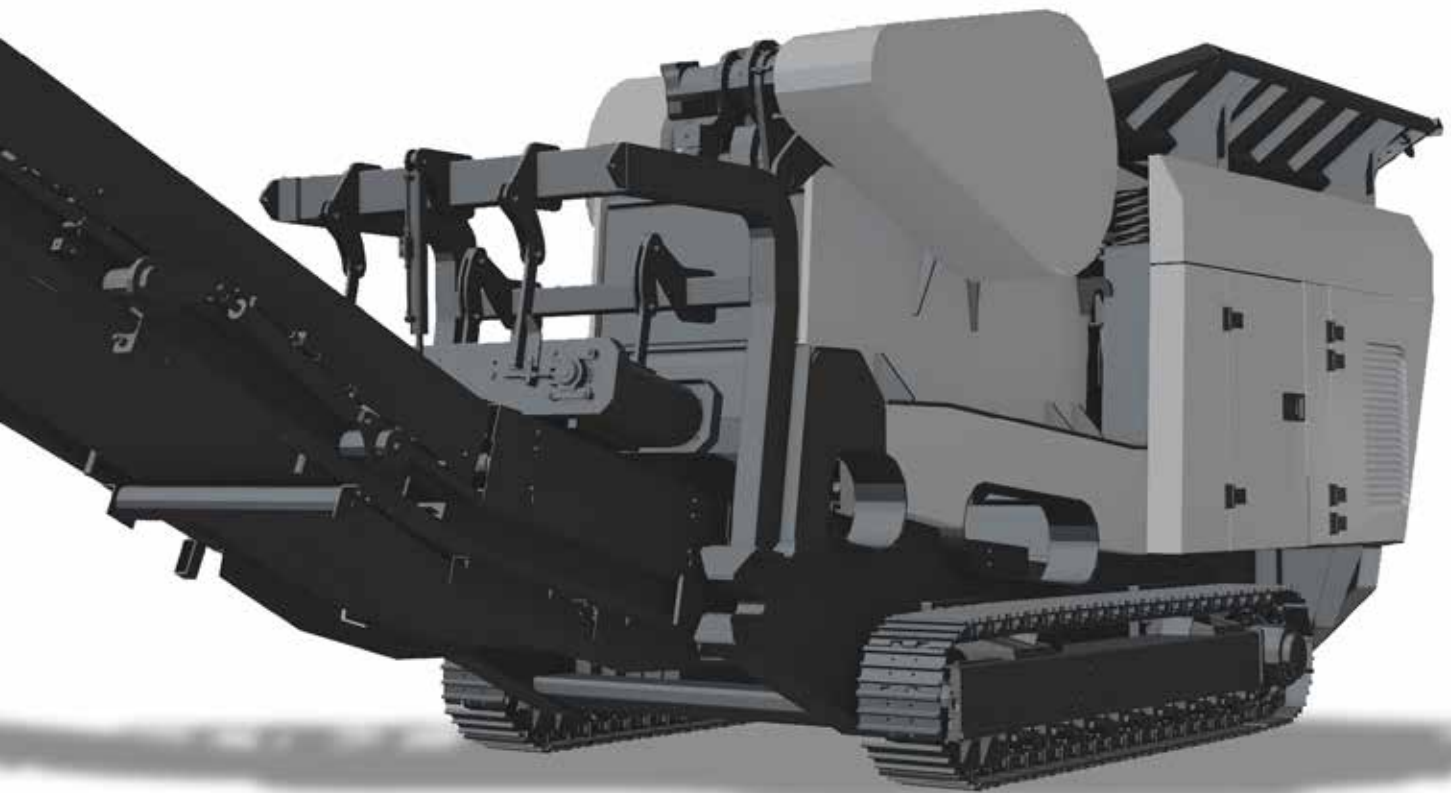


NEW MOBILE
COMPACT
CRUSHER



K-JC 805
TECHNICAL SPECIFICATION

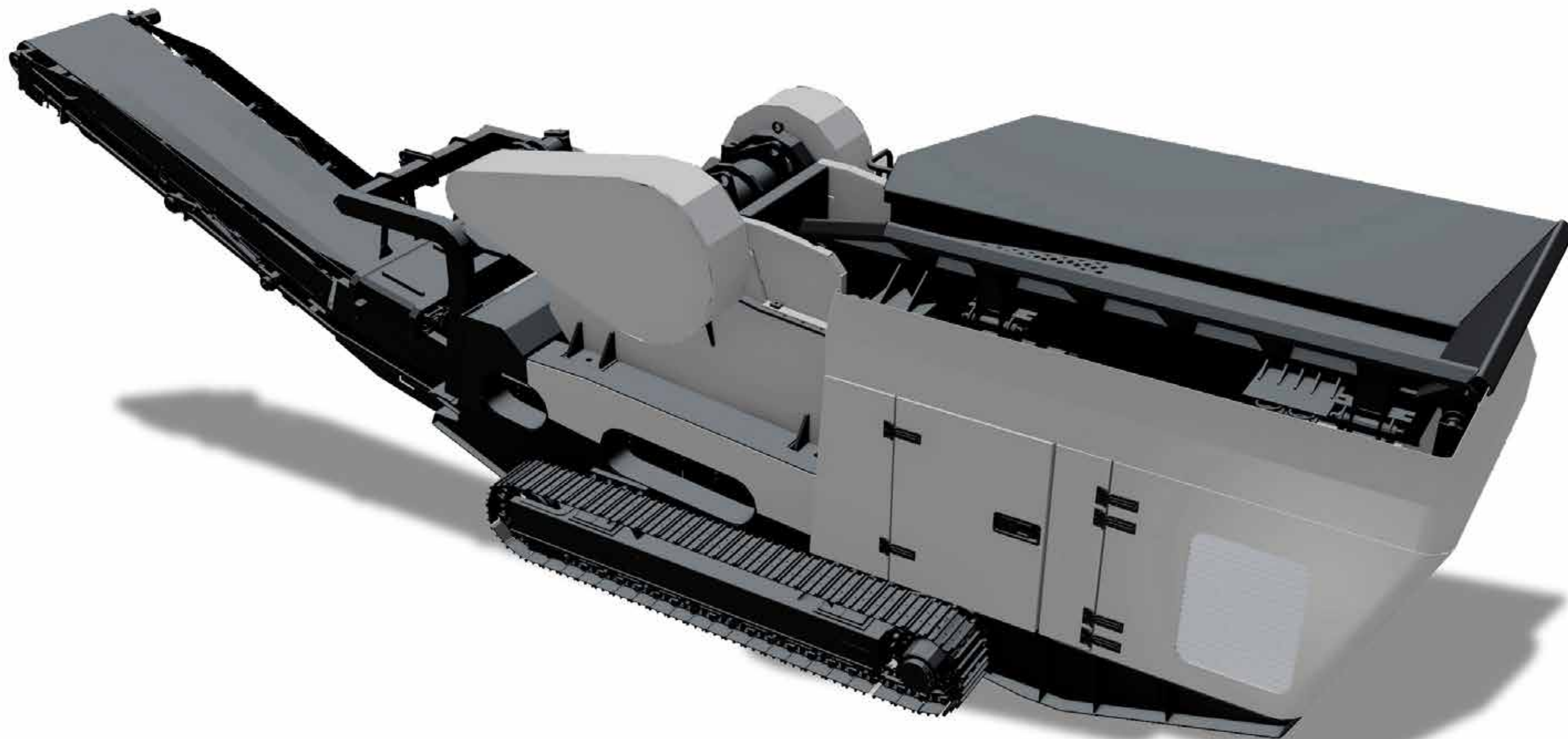
K-JC 805

Is an easy to use compact jaw crusher designed to crush a wide variety of materials. Ideally suited to contractors and quarry operators alike. Easily transported, is designed to excel in a wide range of crushing applications. The modern design allows unrivalled access to the engine and around the crushing chamber.

- 1. CRUSHER
- 2. FEEDER
- 3. PRODUCT CONVEYOR
- 4. POWERUNIT
- 5. CONTROL SYSTEM
- 6. TRACKS



CRUSHER



TECHNICAL DATA

JAW CRUSHER

Crusher dimension
800x500 mm (31x20")

Jaw adjustment
Hydraulically

CSS range
20 to 80mm
(3/4" to 3-1/4")

POWERUNIT

Power
T4F 100Kw/134 Hp
diesel engine

Consumption
62l/h

Cylinder
N°4

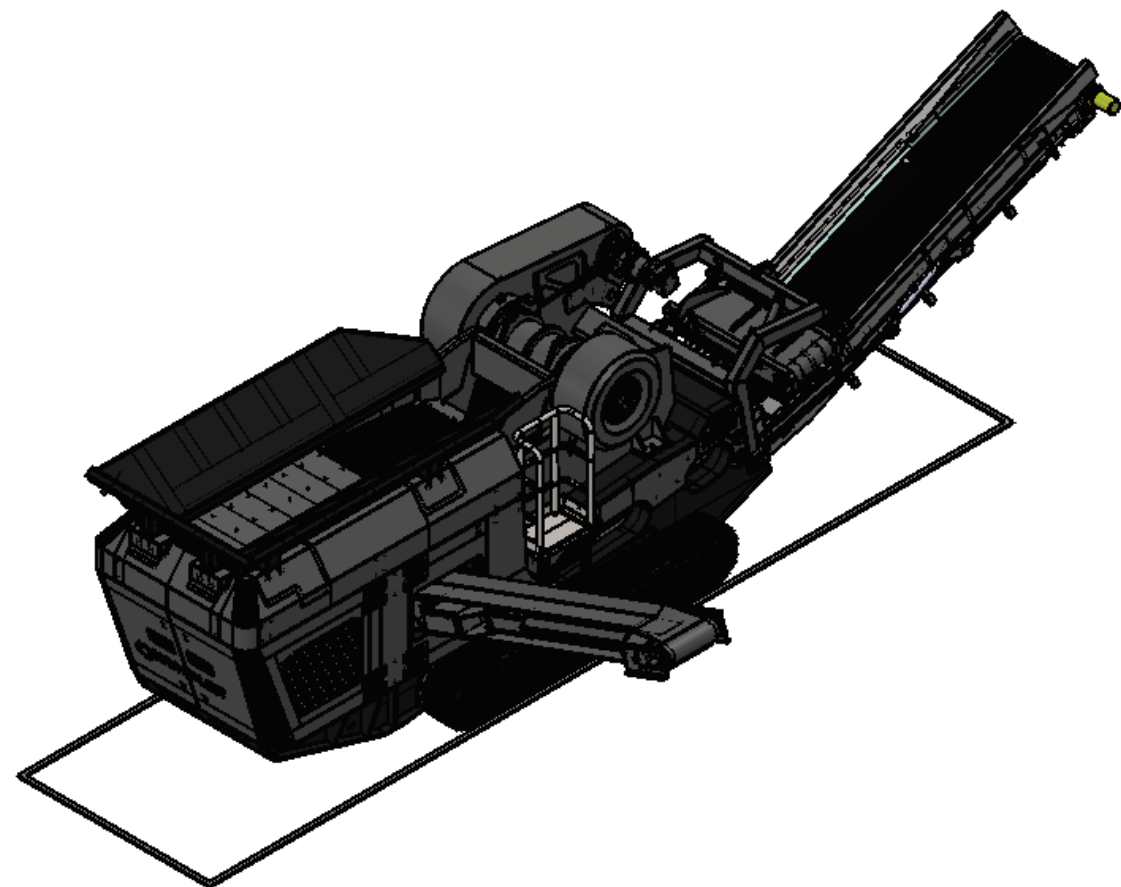
Cooling
Water

PERFORMANCE

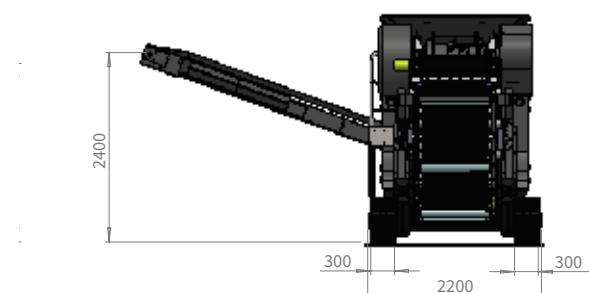
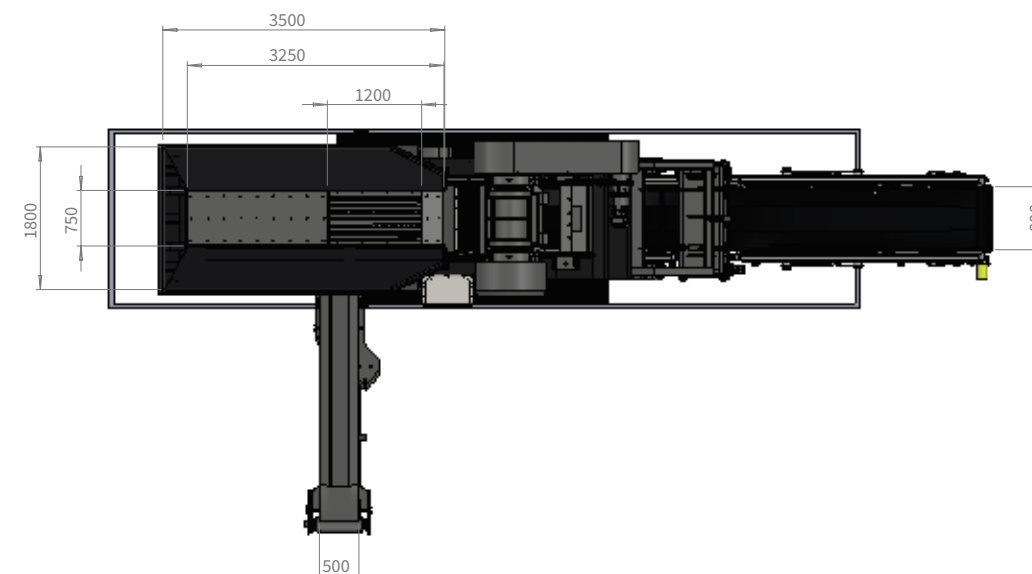
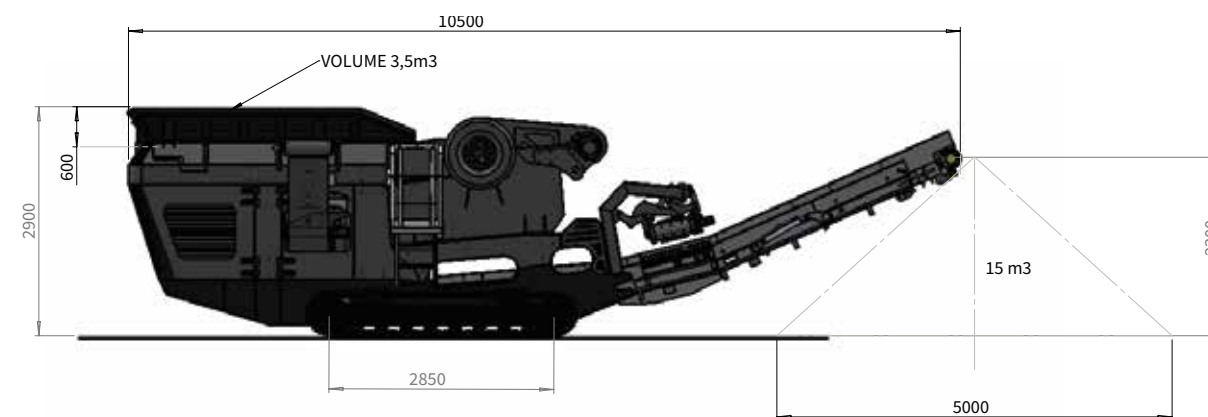
Production
up to 200tph /
220 ustph

Max intel size
500 mm

Standard weight
18000 kgs (39,685 lbs)



TRANSPORT DIMENSION & WORKING DIMENSION



STANDARD MACHINE

- Doglead remote control
- Easy 2 use control panel
- Monitoring and remote access to machine
- Gps geolocation
- Jaw level sensor
- Ladder to inspect the crusher

ACCESSORIES

- Overband magnetic
- Raise and lower overband magnetic
- Side dirty conveyor
- Remote control to drive undercarrige/crusher/feeder
- Spraybar
- Antidustsystem

