



KOMPATTO 104
TECHNICAL SPECIFICATION

KOMPATTO 104

The KOMPATTO 104 is an affordable entry level screen ideally suited for small to medium sized operators and contractors who require a versatile product capable of operating in a number of applications such as sand and gravel, aggregates and recycling. With its rapid set up time, ease of operation and features such as A high performance double deck screen box and TWO hydraulically folding stockpile conveyors as standard, this really is an excellent solution for a variety of applications with capacity of up to 250tph.

1. SCREENBOX
2. FEEDER
3. FINESIZE SIDE CONVEYOR
4. MIDSIZE SIDE CONVEYOR
5. OVERSIZE FRONT CONVEYOR
6. POWERUNIT
7. CONTROL SYSTEM
8. TRACKS -CHASSIS



SCREENER



TECHNICAL DATA

HOPPER & GRID

Dimensions
2.6 ft x 7.2 ft

Grid aperture
4 in

Capacity
2,5m³

FEEDER / MAIN CONVEYOR

2.6 ft 3ply belt
Supergrip system
with 2 hydraulics
motor

Variable speed
control

SCREENBOX

10 ft x 4 ft
2 Bearing shaft
End tensioned deck

FINESIZE CONVEYORS

2.6 ft wide belt
Hydraulic folding
7.2 ft

MIDSIZE & OVERSIZE SIDE CONVEYORS

1.3 ft wide chevron
belt
Hydraulic folding
5.9 ft

POWERUNIT

POWER
36KW/47HP DIESEL
ENGINE

Cooling
Water

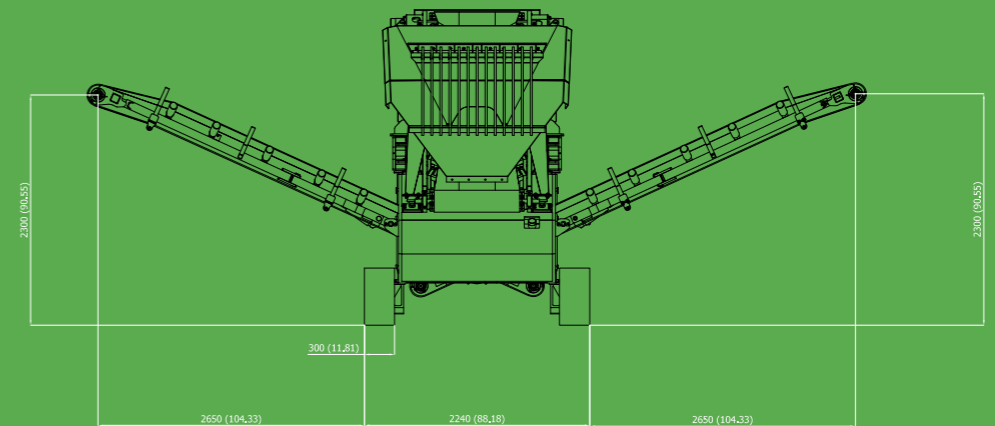
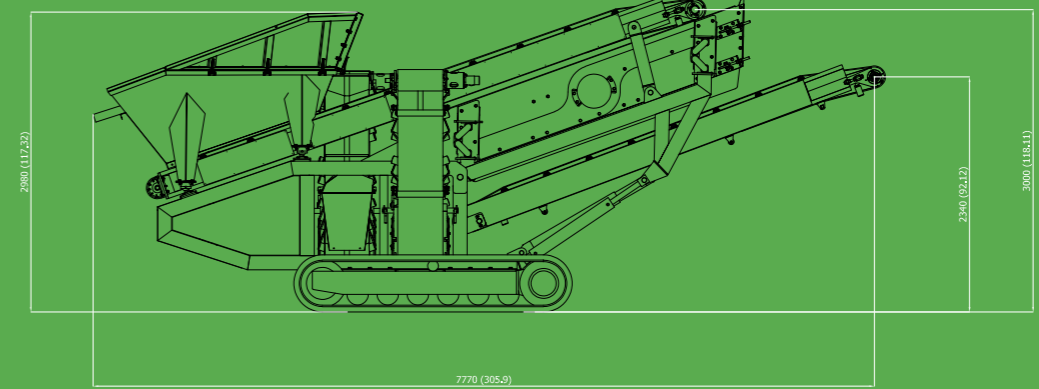
PERFORMANCE

Production
Up to 220 tph

Standard weight
15.432 lbs



TRANSPORT DIMENSION & WORKING DIMENSION



STANDARD MACHINE

- Remote control
- Supergrip system

ACCESSORIES

- Wide range of screen media
- Vibrator on the hopper



