

# K-TS 40

TROMMEL SCREENER



## K-TS 40



1. 3,200x1,400 mm  
126x55 inch
2. 4,350x1,100 mm  
171x43 inch



2 to 50 mm  
0.07 to 1.9 inch



GenSet 40 kW  
50 Hz  
380 V



Up to 120 tph



11,500 kg  
25,353 lb

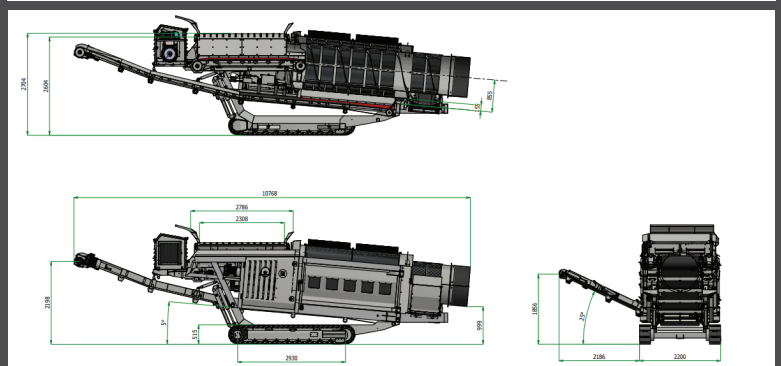
The K-TS 40 builds on the performance of the K-TS series, offering increased screening capacity while maintaining efficiency and mobility. Like the K-TS 30, it delivers three material fractions—fines, mids, and overs—making it ideal for high-volume screening applications.

A fully electric drive system minimizes energy usage and reduces wear on components, lowering service and operating costs over time. With advanced functionality and robust construction, the K-TS 40 is designed for operators who need higher throughput without compromising efficiency, reliability, or ease of operation.

## FEATURES AND BENEFITS

- Heavy duty incline trommel screen with adjustable speed
- Power options: diesel-electric or all electric option
- Single or double trommel with same machine
- Quick change mesh
- Easy access to platform
- Hydraulically folding conveyors
- Variable feeder speed
- Cleaning brush
- Intuitive automation & control system

### WORKING



- Wireless remote control
- Quick set-up time typically under 15 minutes